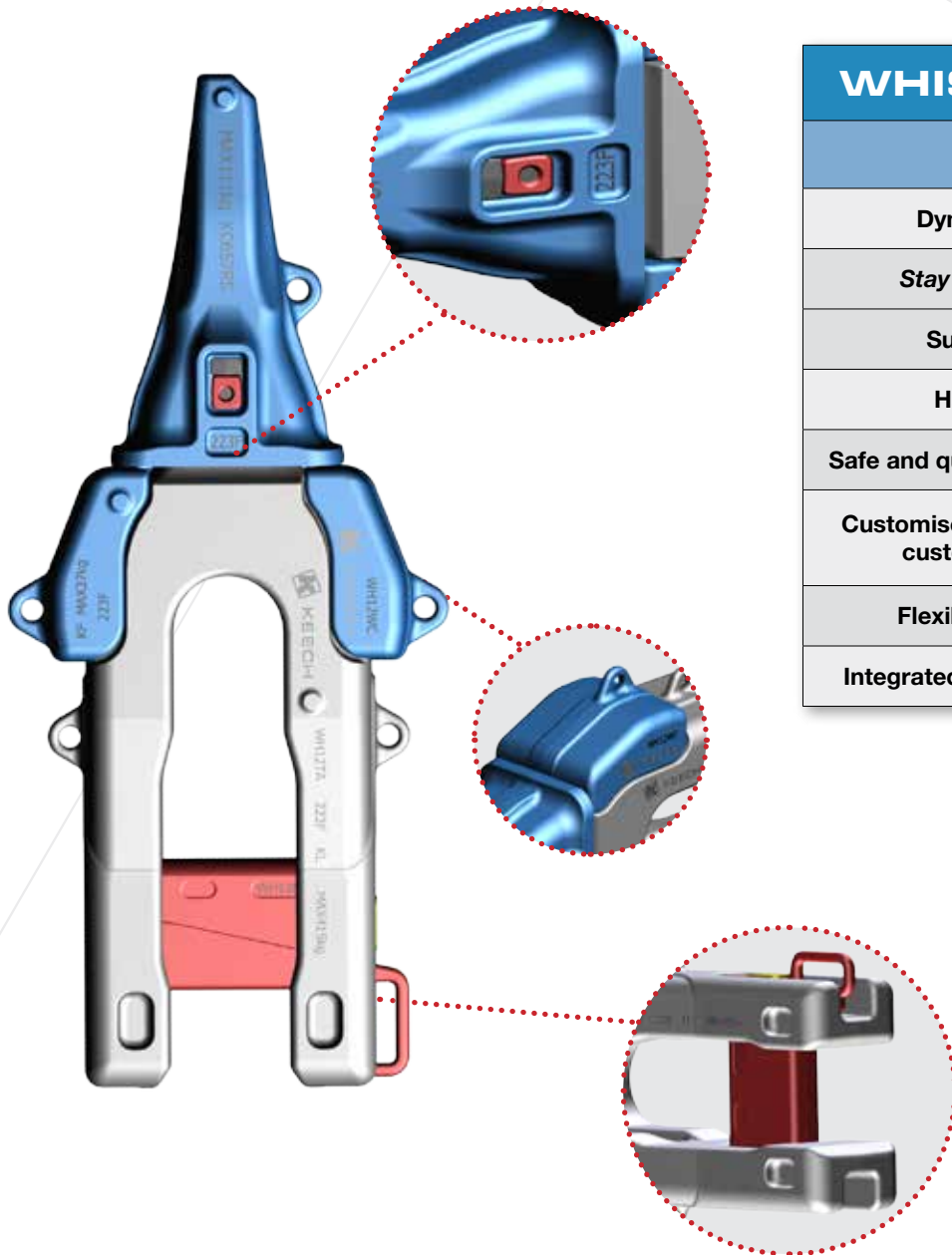


# WHISLER 12



WHISLER FEATURES	
FEATURE	KEECH GET
Dynamic profile	✓
Stay Sharp feature	✓
Superior steel	✓
Hammerless	✓
Safe and quick changeout time	✓
Customised solution to meet customer demand	✓
Flexibility in design	✓
Integrated slide on wear cap	✓

## KEECH INNOVATION

Whisler 12 is the latest development from the Keech Innovation and Quality Centre – where people, creative thoughts and a focus on customer challenges combine to develop innovative solutions.

From better mining buckets to cutting edge ground engaging tools and wear components, we continue to innovate from the ground up.

Contact your local Keech Service Centre for maintenance and advice on **1300 4 KEECH** or email [keechinfo@keech.com.au](mailto:keechinfo@keech.com.au)



Global-Mark.com.au®



Global-Mark.com.au®



Global-Mark.com.au®

**Disclaimer:** Conditions specific to your site means performance of field installed products will vary. Installation procedures, operating conditions, material conditions, wear and tear, and maintenance will affect performance and are considered factors outside the control of Keech. © Keech Australia. All rights reserved. Information correct as at 6 March 2014.

# WHISLER 12



## FEATURES AND BENEFITS

### DYNAMIC PROFILE

Increased penetration  
Reduces fuel usage

### FLOW DYNAMICS INCORPORATED

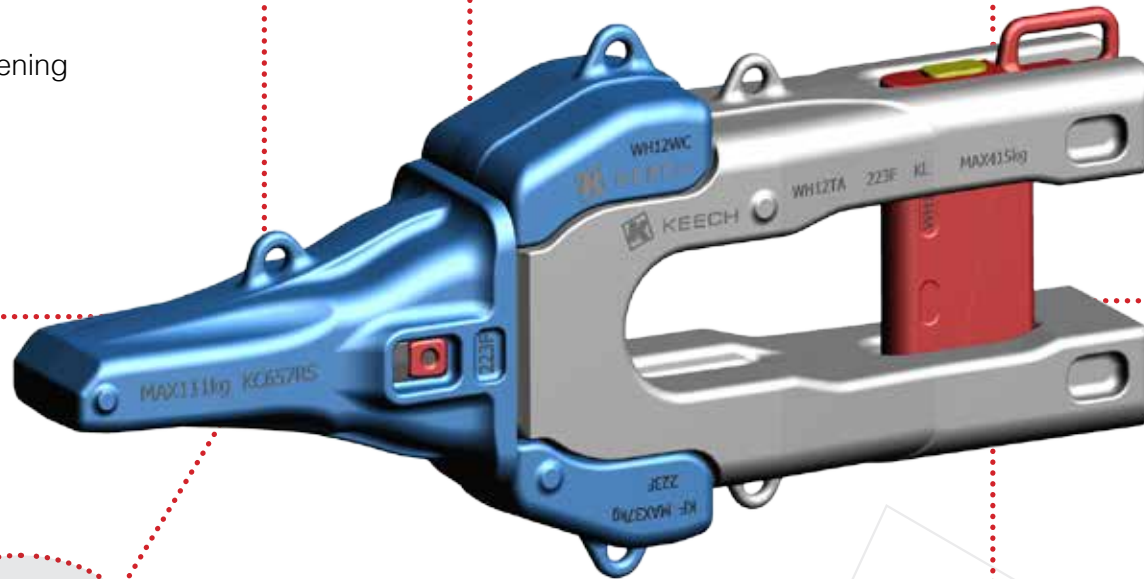
Efficient digging  
*Stay Sharp* self-sharpening profile in service

### INTEGRATED SLIDE ON WEAR CAP

Extra wear protection  
Reduced maintenance

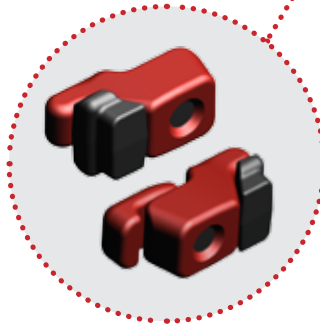
### INCREASED STRENGTH

Can withstand peak/impact loads  
Higher reliability  
Longer life  
Resistant to wear and breakages



### KEECH EASY WEDGE ACTIVE RETENTION SYSTEM

Stronger for increased safety  
Fast changeout  
More productivity



### KEEFAST™ SYSTEM ONLY AVAILABLE FROM KEECH

Completely hammerless locking system  
Fast changeout  
Reduces maintenance cost  
Increased safety

### SUPERIOR KEECH STEEL

Improved wear life  
Reduced downtime costs

**DESIGNED AND MADE IN AUSTRALIA FOR THE TOUGHEST WORK IN EARTH**